


HELIDECK SAFETY FENCE

3' LINE FROM EDGE OF HELIDECK


PHI, INC.
 LAFAYETTE, LA.
 TITLE:
Shell - Turritella

SECTION 7

DESCRIPTION OF SYSTEMS

7.1 GENERAL

The BK 117 D-2 is a multi-purpose helicopter, utilizing a four-bladed hingeless main rotor system with fibre-reinforced composite blades and a FENESTRON antitorque design. The pilot's seat is on the RH side.

This section contains information that applies specifically to BK 117 D-2 helicopters with HELIONIX Avionic System.

7.1.1 FUSELAGE

The primary structure consists mainly of sheet metal and composite material.

The BK 117 D-2 helicopter is accessible through six doors: two hinged doors for the crew/front occupant, two sliding doors for the rear passengers, and two aft clam shell doors for the rear compartment.

The sliding door windows can be quickly removed to serve as emergency exit. Jettisonable cockpit doors and sliding doors can be installed (optional).

7.1.2 TAIL BOOM

The tail boom can be separated from the fuselage, and consists of the horizontal stabilizer, vertical fin, including FENESTRON structure, housing and gearbox.

7.1.3 LANDING GEAR

The non-retractable type landing gear of the BK117 D-2 consists of two cross tubes, two skids and two boarding/maintenance steps (standard step or multifunction step). Two landing gear dampers are installed between the forward cross tube and the fuselage on the LH and RH side of the helicopter. The dampers can be covered by a fairing (optional, see Fig. 7-1-1).

7.1.4 HELICOPTER DIMENSIONS

Fig.7-1-1 shows a three-view drawing of the helicopter with its principal dimensions. For cabin dimensions see Fig.7-1-2.

Locations on and within the helicopter can be determined in relation to fuselage stations (F.S. or STA.), waterlines (W.L.), and buttock lines (B.L.), measured in millimeters from known reference points (see Sect. 6 "Mass and balance").

DESCRIPTION OF SYSTEMS

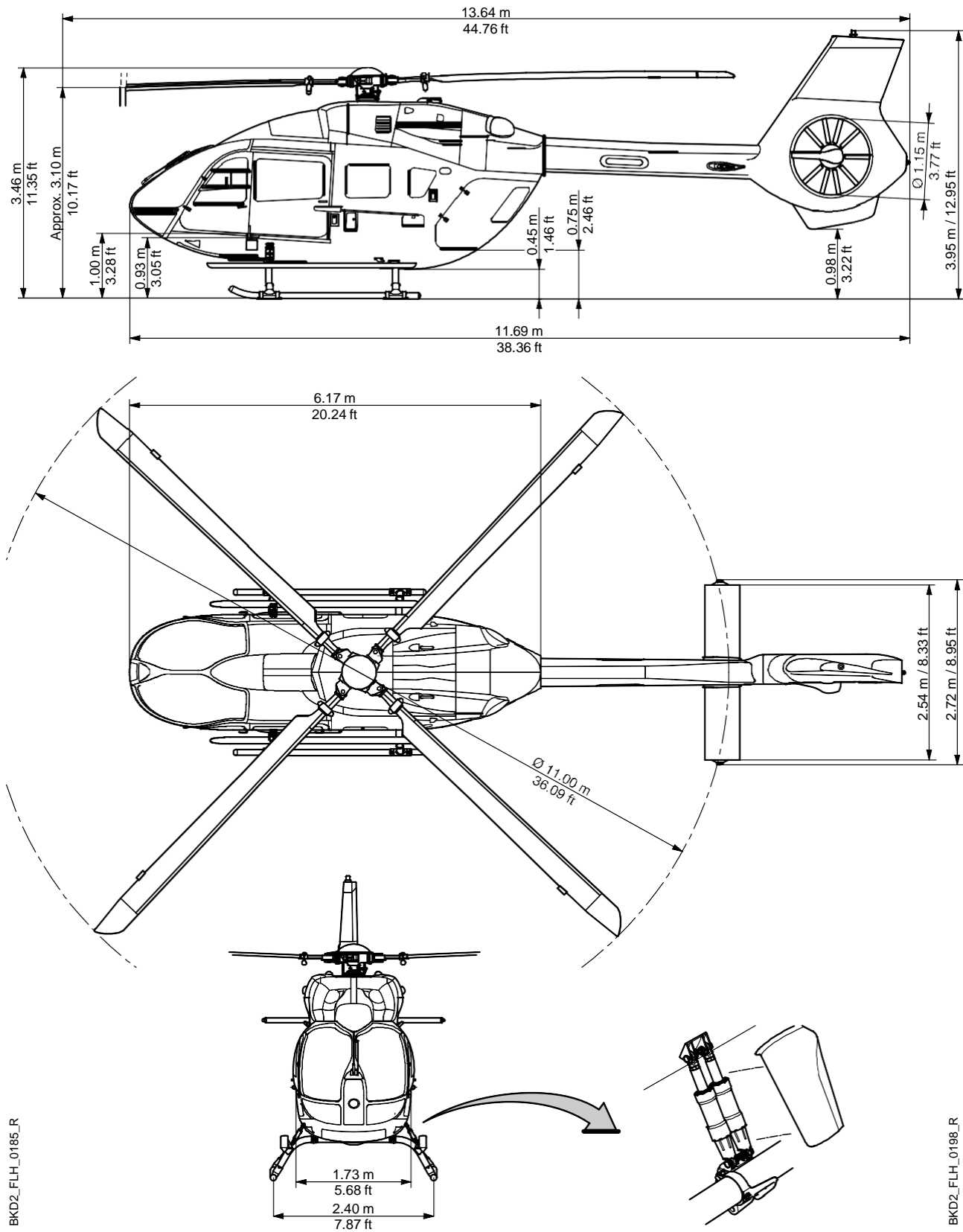
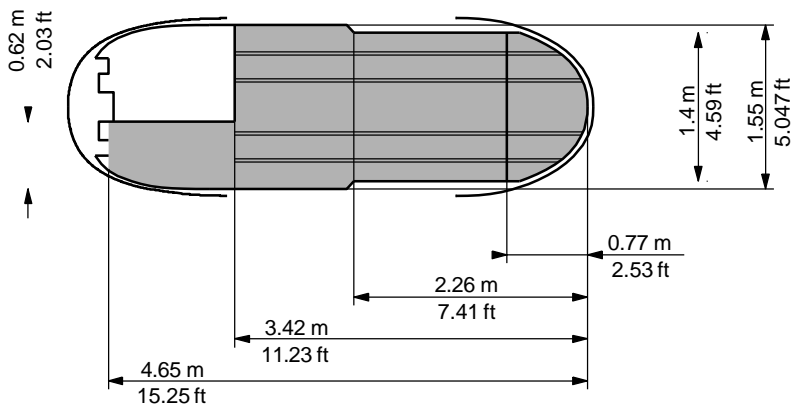
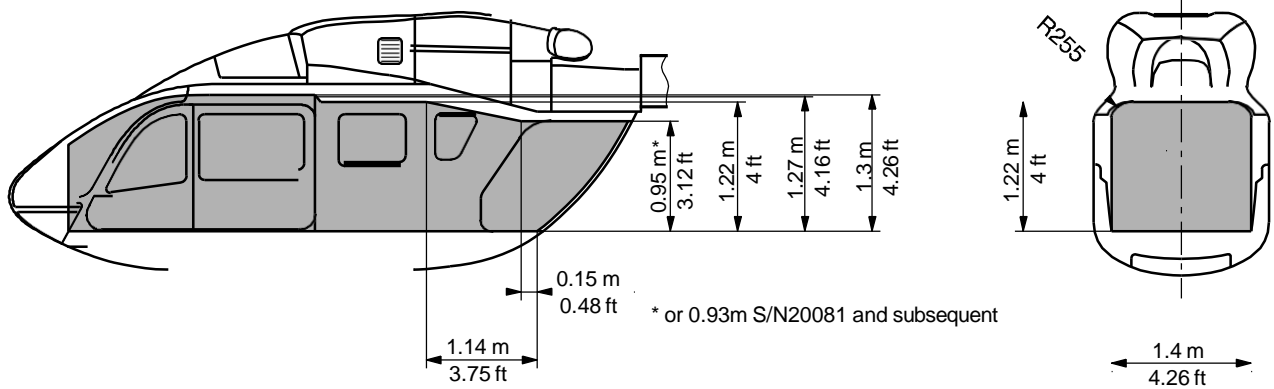
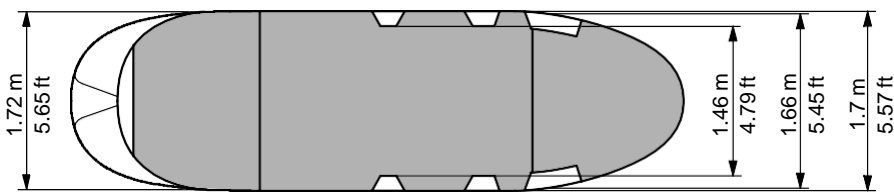


Fig. 7-1-1 Principal dimensions



Floor Level



Shoulder Level

BKD2_FLH_0019_R

Fig. 7-1-2 Cabin dimensions